

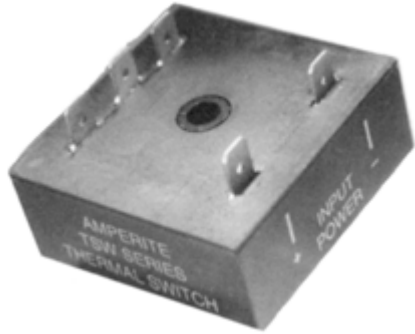


Solving your relay requirements since 1922

Amperite Co.

(800) 752-2329  
www.Amperite.com

## TSW Series Thermal Switch



- ... Solid State Circuitry
- ... SPDT (1 Form C) Output Relay Contact
- ... Fixed Cut-Out Temperature From 0°C to 150°C
- ... Remote Sensing Capability
- ... UL File pending
- ... CSA File pending

### Description:

The Amperite TSW Series thermal cut-out switches provide a simple means to monitor temperature, using a solid state sensing device. When the temperature exceeds the customer specified value, the relay contacts transfer. Upon sensor cool-down the contacts return to the de-energized position.

### Input Voltage:

12V, 24V, 36V, 48V and 120V AC or DC. **Custom voltages are available.**

### Contact Information:

One form C (SPDT) isolated relay contact.

### Contact Rating:

Max. Switching Power: 30W, 50 VA  
Max. Switching Voltage: 60V DC, 125V AC  
Max. Switching Current: 1A AC/DC  
Max. Carrying Current: 1A @ 30V DC

### Thermal Specifications:

Fixed temperature cut-out, customer specified over a range of 0°C to 150°C. Accuracy +/- 5 degrees. Differential 10 degrees C. **Custom differential is available.**

### Sensing:

Thermal sensor built-in or optional remote sensing for units up to 70°C. Above 70°C remote sensing cable is required.



Solving your relay requirements since 1922

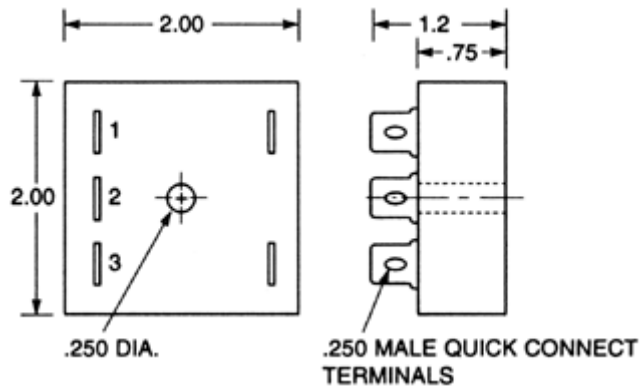
Amperite Co.

(800) 752-2329  
www.Amperite.com

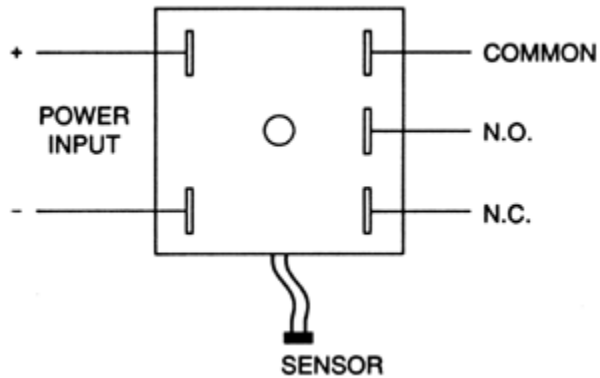
### Mechanical:

Epoxy sealed enclosure. 2 x 2 x 3/4 inch hockey-puck with five  $\frac{9}{16}$  inch quick connect male terminals. Remote cable length (if so equipped) specified by user.

### Outline Dimensions:



### Wiring Diagrams:



### Ordering Information:

Definition of a part number for the Amperite TSW Series Thermal Switch.

Example:

120   A   100   C   R-LENGTH   TSW  
 ↑   ↑   ↑   ↑   ↑   ↑  
 A   B   C   D   E   F

**A:** Denotes nominal input voltage. Voltages available are 12V, 24V, 36V, 48V and 120V AC & DC. **For other input voltages consult factory.**

**B:** Denotes type of input power required for operation:

A = AC - Alternate Current

D = DC - Direct Current

**C:** Denotes trip temperature.

**D:** C = Celsius; F = Fahrenheit.

**E:** Leave blank for built-in sensing (70°C and below only). Add "R" for remote cable & specify cable length in inches.

**G:** Denotes Amperite TSW Series solid state Thermal Cut-Out Switch.